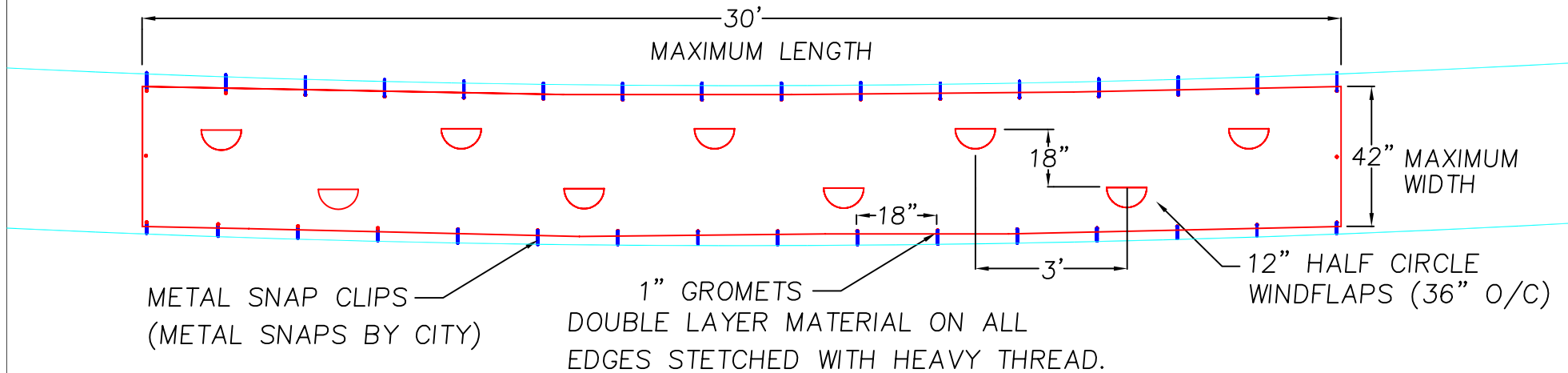


EXHIBIT 'A'



CITY OF SPRINGFIELD MOHAWK BLVD. BANNER SPECIFICIATIONS

NOTES:

BANNER SHALL BE CONSTRUCTED OF HEAVY CANVAS OR EQUIVLANT MATERIAL.

GROMMETS SHALL BE METAL PRESS-FIT TYPE.
GROMMETS SHALL BE PLACED THROUGH DOUBLE- LAYERED HEAVY DUTY MATERIAL SEAMED WITH EXTRA STRENGTH THREAD.

BANNER SHALL BE INSPECTED BY THE CITY FOR COMPLIANCE WITH SPECIFICATIONS PRIOR TO INSTALLATION.